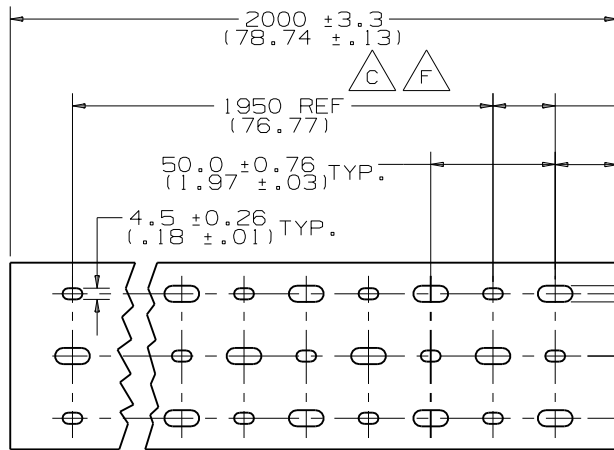
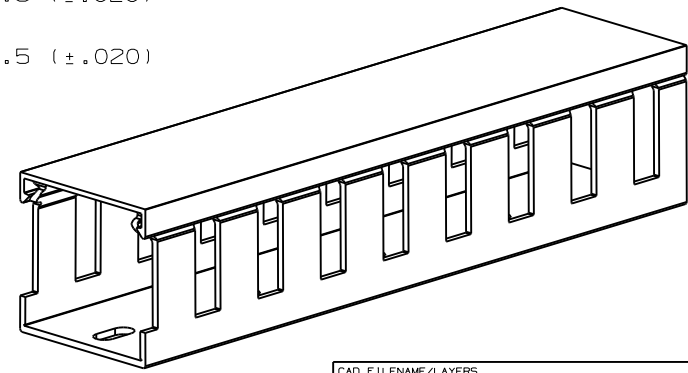
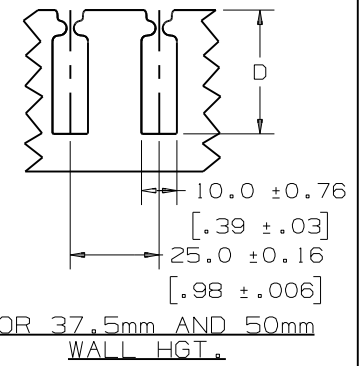
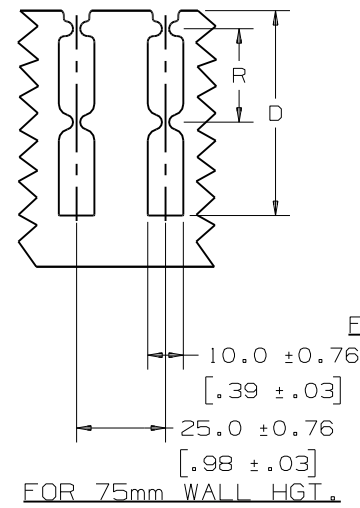
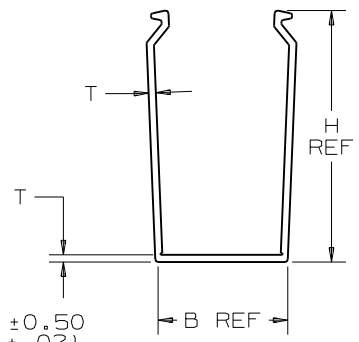


THIS COPY IS PROVIDED ON A RESTRICTED BASIS AND IS NOT TO BE USED IN ANY WAY DETRIMENTAL TO THE INTERESTS OF PANDUIT CORP.



MOUNTING HOLE DIMENSIONS



CHANNEL EXAMPLE:  
 NNC 37 X 50 LG 2  
 TYPE 37mm WIDE 50mm HIGH  
 COLOR (LIGHT GRAY) LENGTH (m)

- B**
- NOTES:
- "B" MEASURED AT BASE.
  - STANDARD LENGTH: 2 METER.
  - SEE CURRENT CATALOG FOR PART NUMBER DESIGNATIONS FOR TYPE, COLOR, AND LENGTH.
  - DUCT TYPE "NNC" PACKAGED WITH TYPE "NC" COVER.
  - DIMENSIONS ARE METRIC (INCHES).

|  |  |   |          |
|--|--|---|----------|
| CAD FILENAME/LAYERS  |  | D38539AA_DC_NNC_01B.PRT   |          |
| <h1>PANDUIT</h1> CORP. TINLEY PARK, ILLINOIS<br>WIRING DUCT AND COVER<br>TYPE "NNC" METRIC<br>CUSTOMER DRAWING |  |   |          |
| UNLESS OTHERWISE SPECIFIED, DIMENSIONAL TOLERANCES ARE:  |  | UNLESS OTHERWISE SPECIFIED, ALL DIMENSIONS ARE GIVEN IN INCHES, THIRD ANGLE PROJECTION. |          |
| (.X) ± .1<br>(.XX) ± 0.1   |  | (.XXX) ± .05<br>ANGLES ± .5   |          |
| DRAWN BY<br>JHNU   | MAT'L: HALOGEN FREE<br>MODIFIED<br>POLYPHENYLENE<br>OXIDE<br>(PPO) | SCALE NONE  |          |
| DATE<br>8-2-02   |  | DRAWING NO.<br>38539-04   | DWG<br>A |
| CHK'D<br>JKG   |  | Sht 1 of 3  | SIZE     |

| REV | DATE    | BY           | CHK | DESCRIPTION                            | ECN      | R   | CUST | SUP |
|-----|---------|--------------|-----|--|----------|-----|------|-----|
| I   | 9-18-06 | JCST         | JKG | B. CHANGED NOTES<br>A. ADDED NEW SIZES | 38539-04 | JKG | JKG  |     |
| R   | 11-2-02 | JHNU<br>JCST | JKG | RELEASED TO PRODUCTION                 | 38539-04 | HIW | HIW  |     |

THIS COPY IS PROVIDED ON A RESTRICTED BASIS AND IS NOT TO BE USED IN ANY WAY DETRIMENTAL TO THE INTERESTS OF PANDUIT CORP.



| PROFILE DIMENSION         |                |                |              |                |
|---------------------------|----------------|----------------|--------------|----------------|
| NOMINAL DUCT SIZE (W X H) | B REF          | H REF          | T            | T TOL.         |
| 25 X 25                   | 24.6<br>(.97)  | 20.5<br>(.81)  | 1.4<br>(.06) | ±.26<br>(.010) |
| 25 X 37                   | 24.6<br>(.97)  | 33.0<br>(1.30) | 1.4<br>(.06) | ±.26<br>(.010) |
| 25 X 50                   | 24.6<br>(.97)  | 45.5<br>(1.79) | 2.0<br>(.08) | ±.30<br>(.012) |
| 25 X 75                   | 24.6<br>(.97)  | 70.5<br>(2.78) | 1.7<br>(.07) | ±.30<br>(.012) |
| 37 X 37                   | 37.1<br>(1.46) | 33.0<br>(1.30) | 1.8<br>(.07) | ±.30<br>(.012) |
| 37 X 50                   | 37.1<br>(1.46) | 45.5<br>(1.79) | 2.0<br>(.08) | ±.30<br>(.012) |
| 37 X 75                   | 37.1<br>(1.46) | 70.5<br>(2.78) | 2.0<br>(.08) | ±.36<br>(.014) |
| 50 X 50                   | 49.6<br>(1.95) | 45.5<br>(1.79) | 2.0<br>(.08) | ±.30<br>(.012) |
| 50 X 75                   | 49.6<br>(1.95) | 70.5<br>(2.78) | 2.0<br>(.08) | ±.36<br>(.014) |
| 50 X 100                  | 49.6<br>(1.95) | 95.5<br>(3.76) | 2.2<br>(.09) | ±.40<br>(.016) |
| 75 X 75                   | 74.6<br>(2.94) | 70.5<br>(2.78) | 2.0<br>(.08) | ±.40<br>(.016) |
| 100 X 50                  | 99.6<br>(3.92) | 45.5<br>(1.79) | 2.0<br>(.08) | ±.40<br>(.016) |
| 100 X 75                  | 98.6<br>(3.92) | 70.5<br>(2.78) | 2.5<br>(.10) | ±.50<br>(.020) |
| 100 X 100                 | 99.6<br>(3.92) | 95.5<br>(3.76) | 2.5<br>(.10) | ±.50<br>(.020) |



| MOUNTING HOLE      |               |
|--------------------|---------------|
| NOMINAL DUCT WIDTH | K             |
| 25                 | ±.5 (.02)     |
| 37                 | ----          |
| 50                 | ----          |
| 75                 | 25.0<br>(.98) |
| 100                | 25.0<br>(.98) |



| SLOT DIMENSION      |                |                 |
|---------------------|----------------|-----------------|
| NOMINAL DUCT HEIGHT | D              | R               |
| 25                  | ±.8 (.03)      | ±.75 (.02)      |
| 37                  | 13.6<br>(.54)  | -----           |
| 50                  | 24.7<br>(.97)  | -----           |
| 75                  | 34.8<br>(1.37) | -----           |
| 100                 | 57.6<br>(2.27) | 26.26<br>(1.03) |
|                     | 81.0<br>(3.19) | 38.0<br>(1.50)  |

ALL DIMENSIONS ARE METRIC (INCHES)

CAD FILENAME/LAYERS D38539AA\_DC\_NNC\_01B.PRT

PANDUIT CORP. TINLEY PARK, ILLINOIS

WIRING DUCT AND COVER  
TYPE "NNC" METRIC  
CUSTOMER DRAWING

UNLESS OTHERWISE SPECIFIED,  
DIMENSIONAL TOLERANCES ARE:  
(.X) ± (.XXX) ±  
(.XX) ± 3.1 (.12) ANGLES ±

UNLESS OTHERWISE SPECIFIED,  
ALL DIMENSIONS ARE GIVEN  
IN INCHES, THIRD ANGLE PROJECTION.

| REV | DATE    | BY           | CHK | DESCRIPTION                    | ECN      | CHK | CUST | SUP |
|-----|---------|--------------|-----|--------------------------------|----------|-----|------|-----|
| I   | 9-18-06 | JCST         | JKG | SEE SHEET 1 OF 3 FOR REVISIONS | 38539-04 | JKG | JKG  |     |
| R   | 11-2-02 | JHNU<br>JCST | JKG | SEE SHEET 1 OF 3 FOR REVISIONS | 38539-04 | HIW | HIW  |     |

DRAWN BY JHNU  
DATE 8-2-02  
CHK'D JKG

MAT'L: HALOGEN FREE  
MODIFIED  
POLYPHENYLENE  
OXIDE  
(PPO)

SCALE NONE  
DRAWING NO. 38539-04  
SHT 2 OF 3  
DWG SIZE A



THIS COPY IS PROVIDED ON A RESTRICTED BASIS AND IS NOT TO BE USED IN ANY WAY DETRIMENTAL TO THE INTERESTS OF PANDUIT CORP.



| NOMINAL DUCT SIZE (W) | C REF          | HC           | TC            |
|-----------------------|----------------|--------------|---------------|
| 25                    | 24.6<br>(.97)  | 8.9<br>(.35) | 1.30<br>(.05) |
| 37                    | 37.1<br>(1.46) | 8.9<br>(.35) | 1.30<br>(.05) |
| 50                    | 49.6<br>(1.95) | 8.9<br>(.35) | 1.40<br>(.06) |
| 75                    | 74.6<br>(2.94) | 9.4<br>(.37) | 1.40<br>(.06) |
| 100                   | 99.6<br>(3.92) | 9.4<br>(.37) | 1.40<br>(.06) |

ALL DIMENSIONS ARE METRIC (INCHES)

CAD FILENAME/LAYERS D38539AA\_DC\_NNC\_01B

| REV | DATE    | BY           | CHK | DESCRIPTION                    | ECN      | R   | CUST | SUP |
|-----|---------|--------------|-----|--------------------------------|----------|-----|------|-----|
| I   | 9-18-06 | JCST         | JKG | SEE SHEET 1 OF 3 FOR REVISIONS | 38539-04 | JKG | JKG  |     |
| R   | 11-2-02 | JHNU<br>JCST | JKG | SEE SHEET 1 OF 3 FOR REVISIONS | 38539-04 | HIW | HIW  |     |

**PANDUIT** CORP TINLEY PARK, ILLINOIS  
 WIRING DUCT AND COVER  
 TYPE "NNC" METRIC  
 CUSTOMER DRAWING

|  |   |   |          |
|--|---|---|----------|
| UNLESS OTHERWISE SPECIFIED, DIMENSIONAL TOLERANCES ARE:<br>(.X) ± .01<br>(.XX) ± .01 |   | UNLESS OTHERWISE SPECIFIED, ALL DIMENSIONS ARE GIVEN IN INCHES, THIRD ANGLE PROJECTION. |          |
| DRAWN BY<br>JHNU   | MAT'L:<br>HALOGEN FREE<br>MODIFIED<br>POLYPHENYLENE<br>OXIDE<br>(PPO) | SCALE<br>NONE   |          |
| DATE<br>8-2-02   |   | DRAWING NO.<br>38539-04   | DWG<br>A |
| CHK'D<br>JKG   |   | SHT 3 OF 3  | SIZE     |

